

”Enjoy everyday life
in the kitchen
– regardless of your height”



4SINGLE

YOUR TABLETOP WILL REACH NEW HEIGHTS

Manual or electric height-adjustable multi-functional frame for sitting as well as standing work.

Perfect for kitchens, for rooms with large space, family rooms, and dining-rooms and for many various kitchen activities.

You can adjust the frames by using a handle, remote control or controller. If you mount robust brake wheels on the frame you will get a very mobile table that can be placed almost anywhere in the room according to individual needs.

The table frame can be designed according to individual requested sizes and for almost every kind of tabletops.

The 4Single table is ideal for the whole family: Large, small, young, elderly or wheelchair and many others.

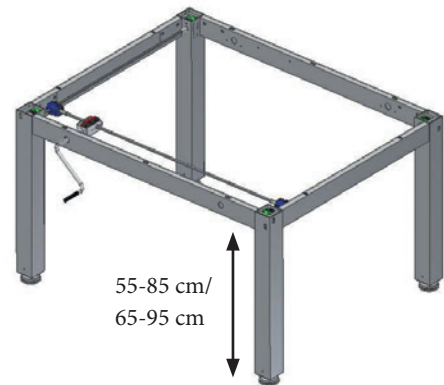
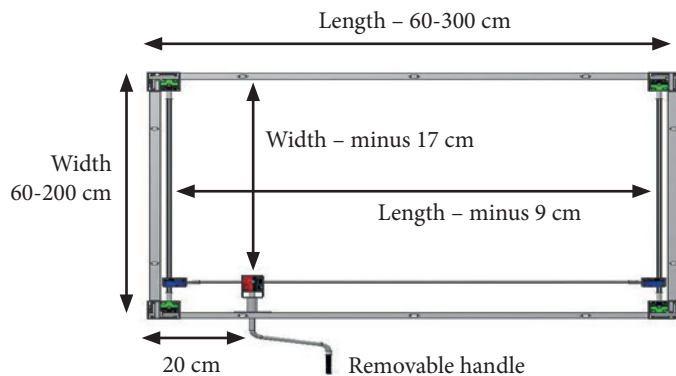


ROPOX™
BETTER WAYS TO BETTER DAYS

4SINGLE

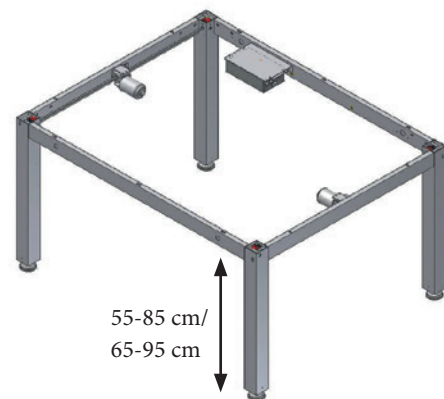
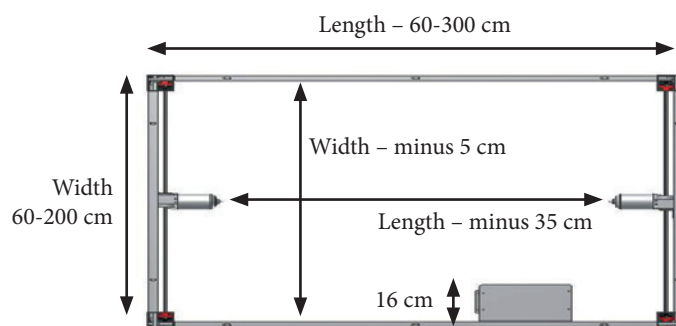
Max. load: 150/250 kg evenly distributed
 Height: 55-85/65-95 cm
 Length: 60-300 cm
 Width: 60-200 cm
 Colour: RAL 7021

4SingleManual (height 55-85 cm) or (height 65-95 cm)



4SingleElectric (height 55-85 cm) or (height 65-95 cm)

4SingleElectric is also available with a battery solution

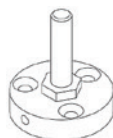


ACCESSORIES

Brake wheels
 - increase the height
 by 6.5 cm
 50-41600



Fitting
 for floor
 50-41605



Safety strip,
 length 56-620 cm
 30-69056 - 30-69620



Battery
 50-47013 (max. 150 kg)
 50-47014 (max. 250 kg)



Infrared
 hand control
 30-67847



Tips:

- The frames are available in other colours.
- The frames are as standard 4 mm smaller than the tabletop size.
- We always recommend safety stops for the electrical frames.

ROPOX A/S · RINGSTEDGADE 221 · 4700 NÆSTVED, DENMARK
 PHONE: +45 5575 0500 · INFO@ROPOX.DK · WWW.ROPOX.COM

ROPOXTM
 BETTER WAYS TO BETTER DAYS